

## 1: CHECK GATE WIDTH





## NOTES

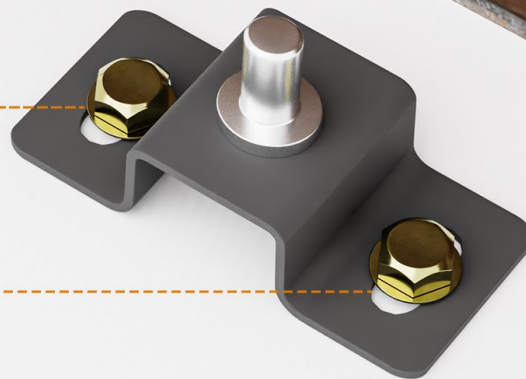
- 2 X PLACES
- 10MM DRILL





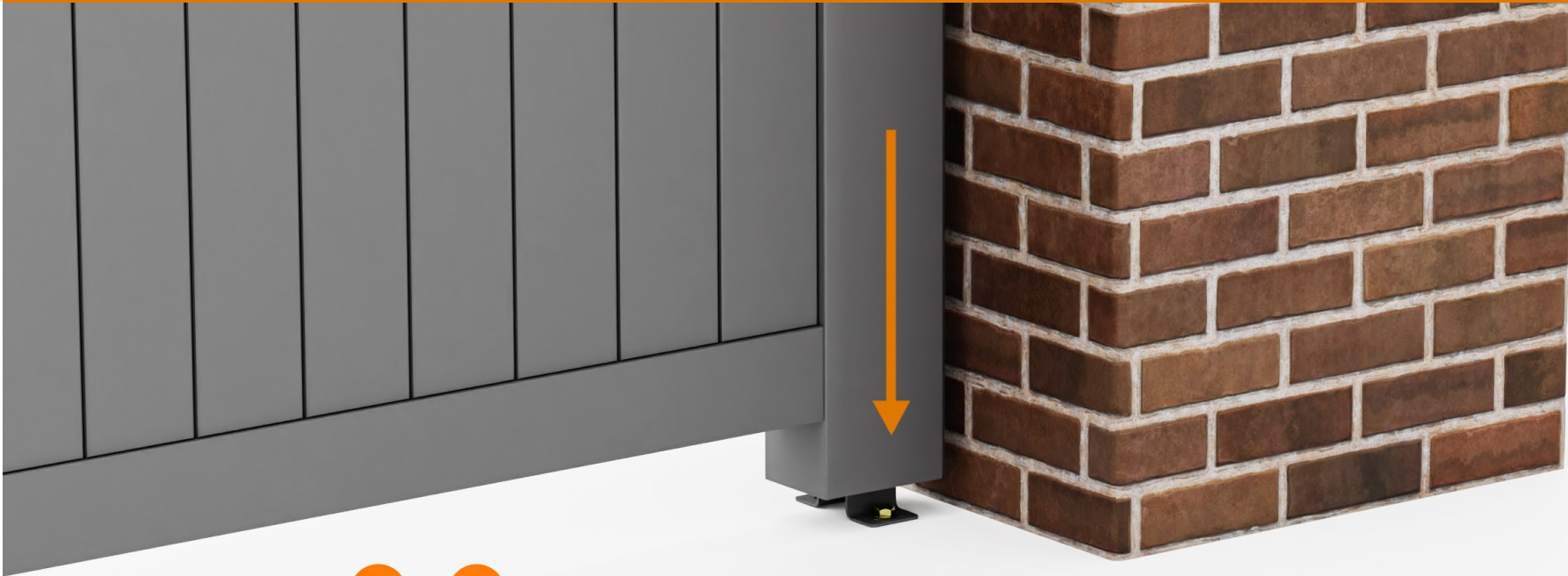
**3: PRE-ASSEMBLE LOWER SPIGGOT**

**M10 BOLTS  
2 x PLACES**



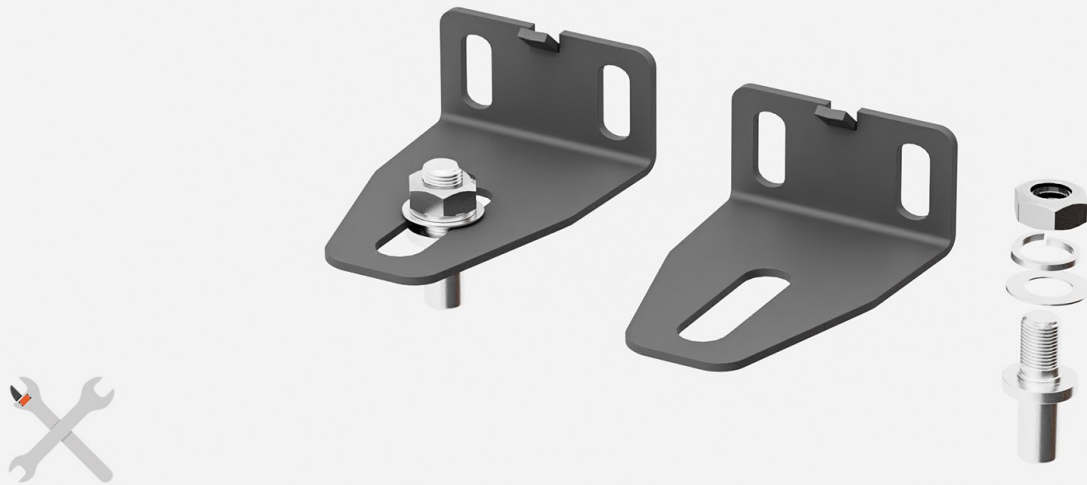
**4: FIX LOWER HINGE TO FLOOR**

## 5: LOAD GATE - HOLD SQUARE



**TWO PERSON LIFT ADVISED**

## 6: ASSEMBLE UPPER SPIGGOT



### NOTES

- OPPOSITE TO LOWER BRACKET

## 7: MARK UPPER BRACKET



## NOTES

- HOLD GATE SQUARE
- MARK 2 X PLACES







**8: DRILL HOLES x 2**

**NOTES**

- 10MM DRILL
- 50MM MIN DEPTH

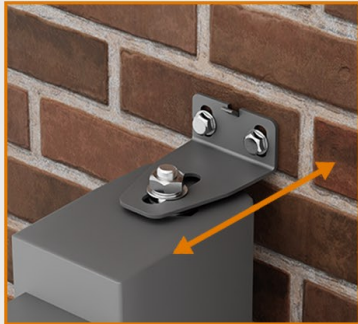






**9: FIX UPPER HINGE**

**REPEAT  
STEP 2 TO 9  
FOR LH GATE**



**2 X PLACES**

**10MM GAP**

## **11: ADJUST UPPER HINGES**





**12: FIT COVERS - 2 X PLACES**

**PROJECT COMPLETE**

