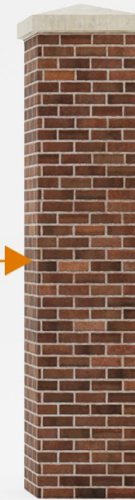
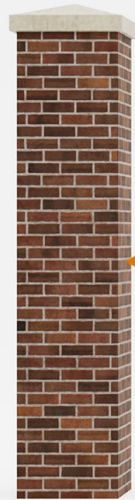


1: CHECK GATE WIDTH

**GATE WIDTH
+ 30MM - 60MM**



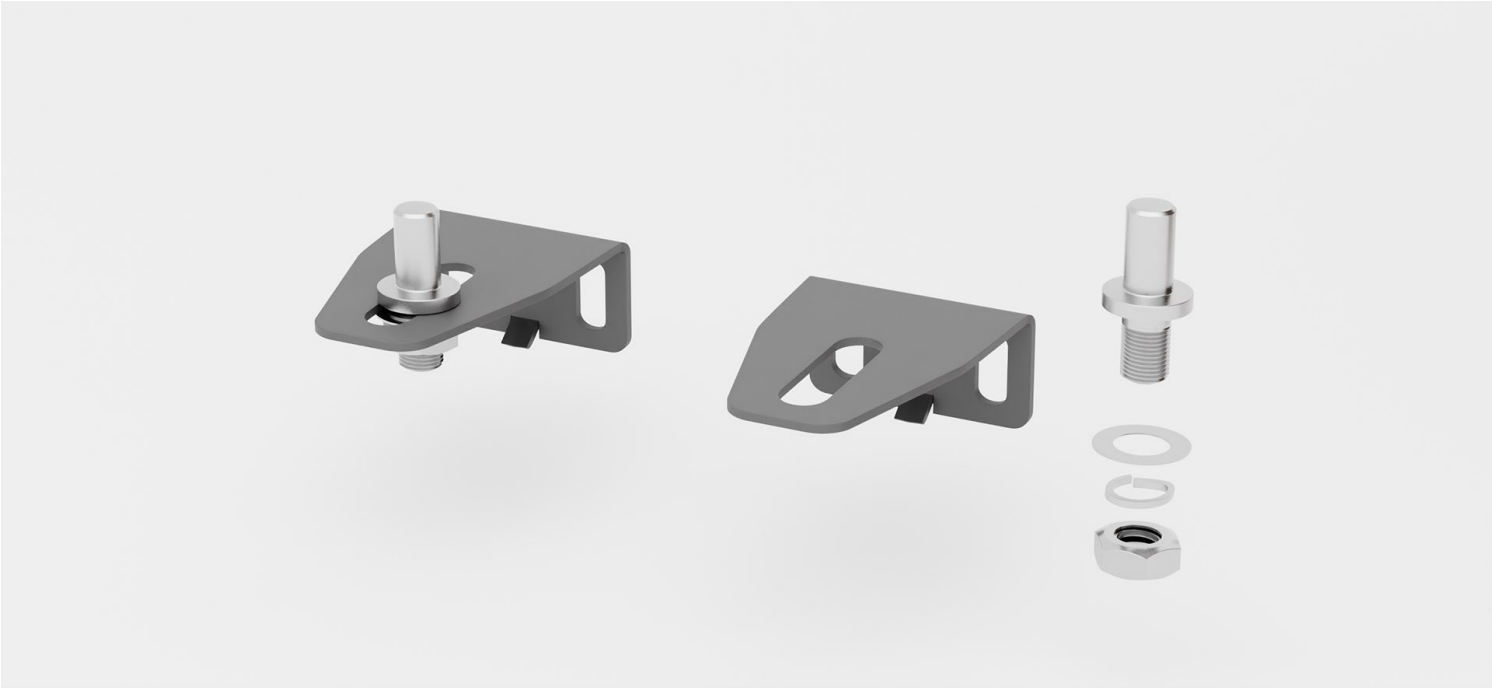


2: MARK & DRILL LOWER BRACKET

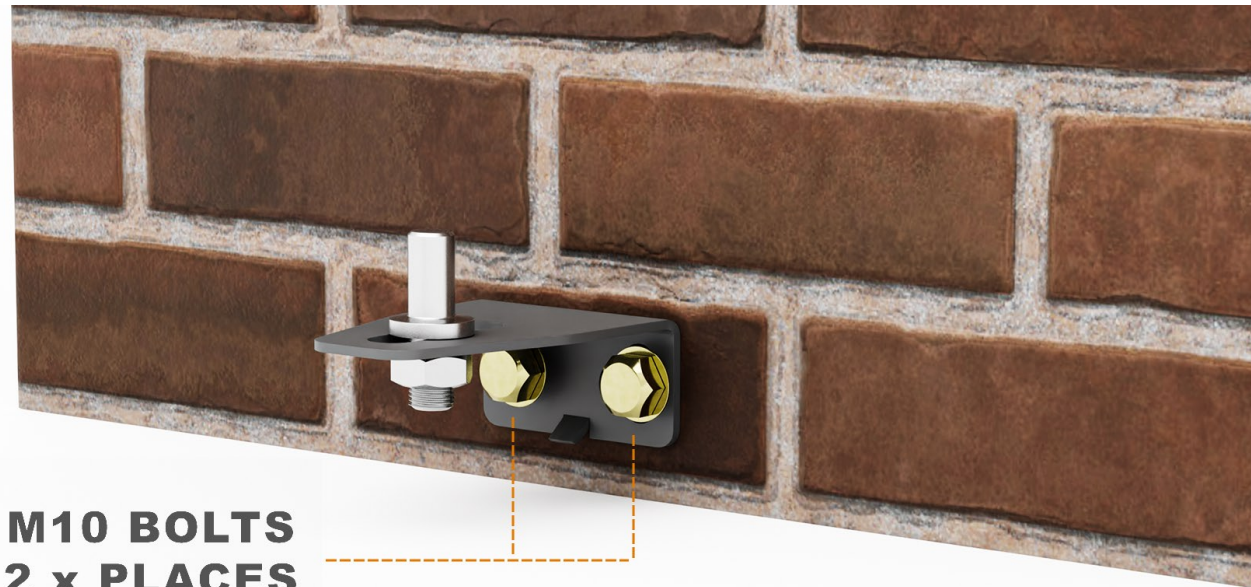
NOTES

- 2 X PLACES
- 10MM DRILL





3: PRE-ASSEMBLE LOWER SPIGGOT



**M10 BOLTS
2 x PLACES**

4: FIX LOWER HINGE TO FLOOR

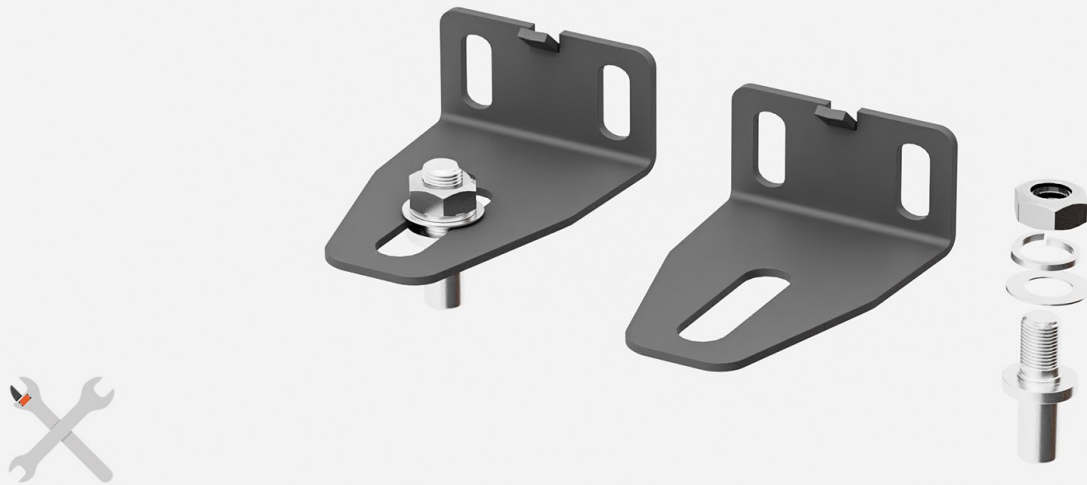


5: LOAD GATE - HOLD SQUARE



TWO PERSON LIFT ADVISED

6: ASSEMBLE UPPER SPIGGOT



NOTES

- OPPOSITE TO LOWER BRACKET

7: MARK UPPER BRACKET



NOTES

- HOLD GATE SQUARE
- MARK 2 X PLACES





8: DRILL HOLES x 2

NOTES

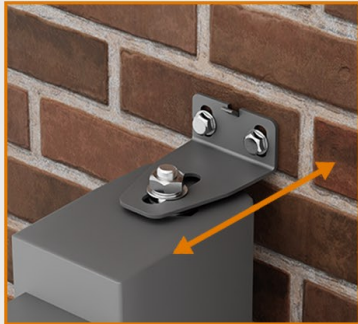
- 10MM DRILL
- 50MM MIN DEPTH





9: FIX UPPER HINGE

**REPEAT
STEP 2 TO 9
FOR LH GATE**



2 X PLACES

10MM GAP

11: ADJUST UPPER HINGES





12: FIT COVERS - 4 X PLACES

PROJECT COMPLETE

